

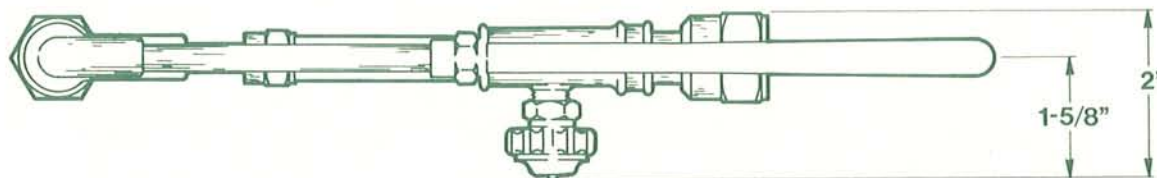
VICTOR®

2450 & C 1450 CUTTING ATTACHMENTS

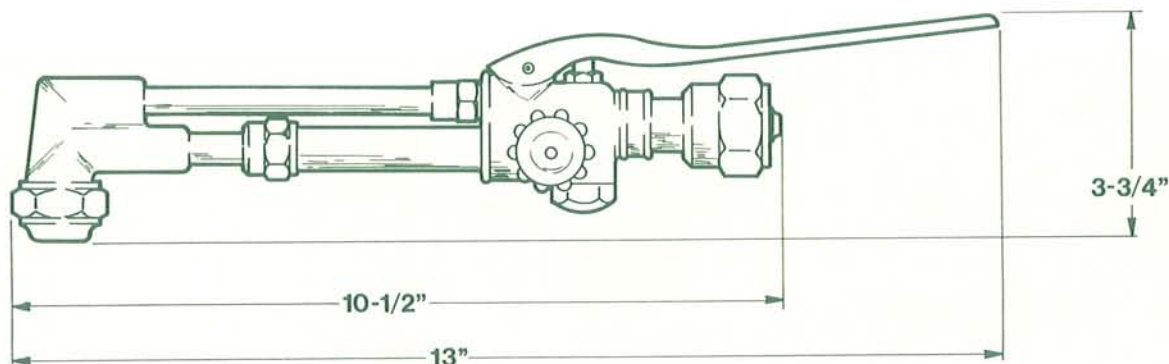
PARTS AND SERVICE BULLETIN

FORM NO. 56-636

EFFECTIVE 6-87



**THIS PRODUCT IS
DISCONTINUED
AND REPLACED BY
CA 2460**



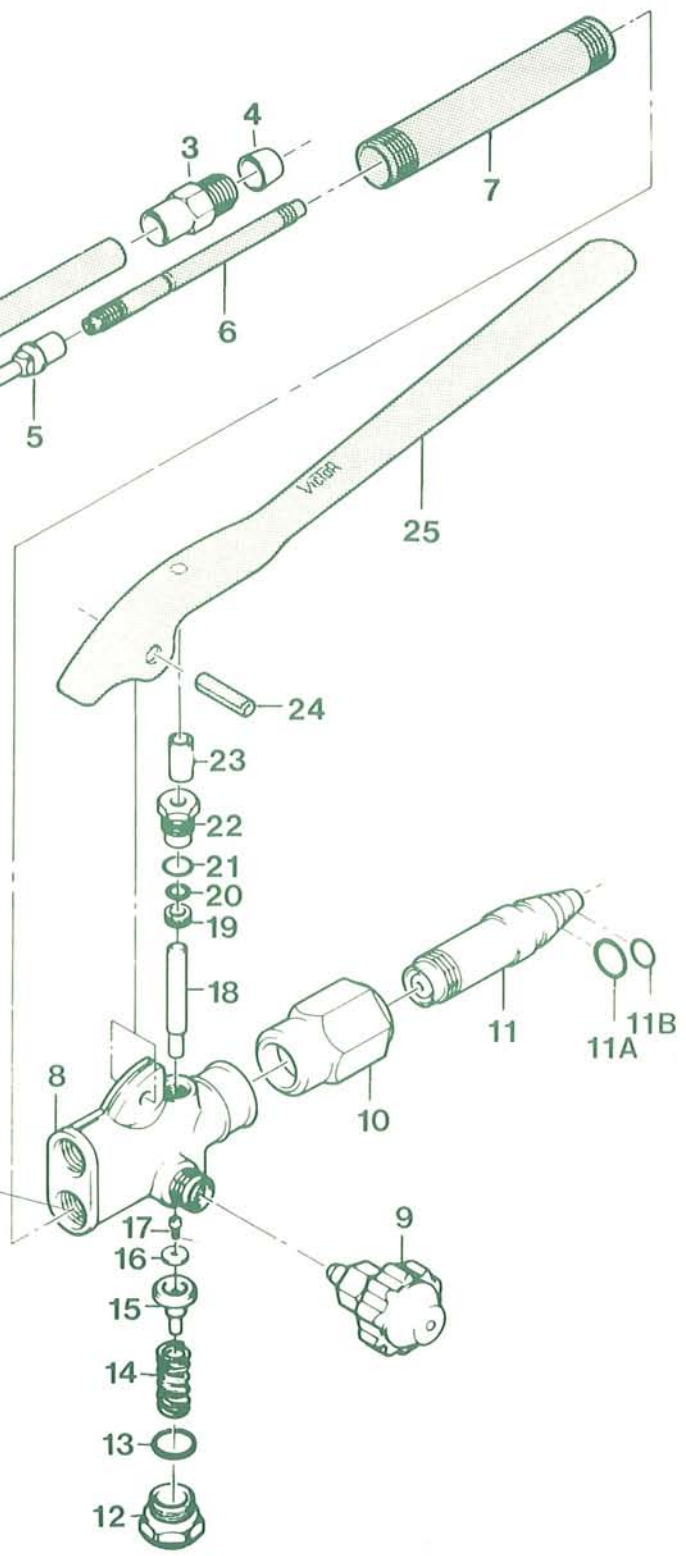
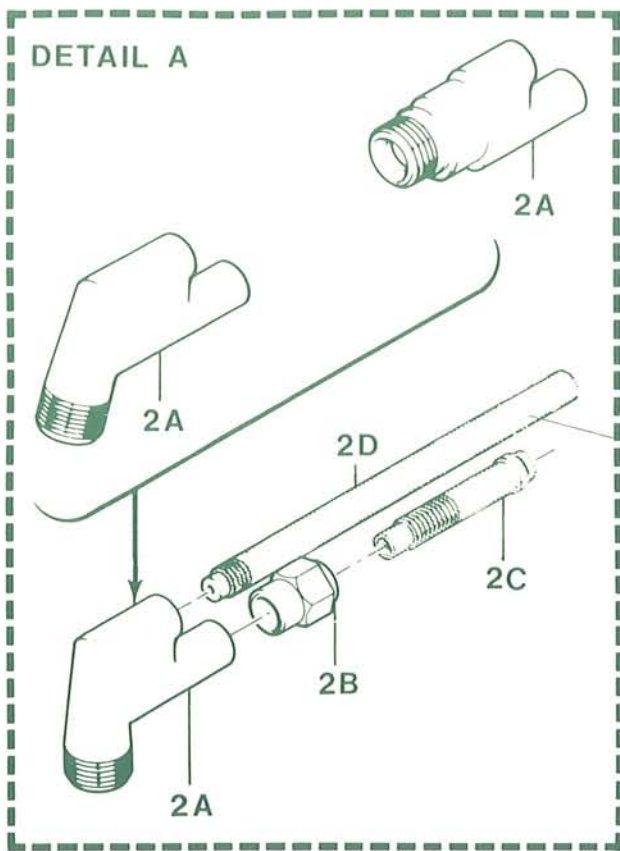
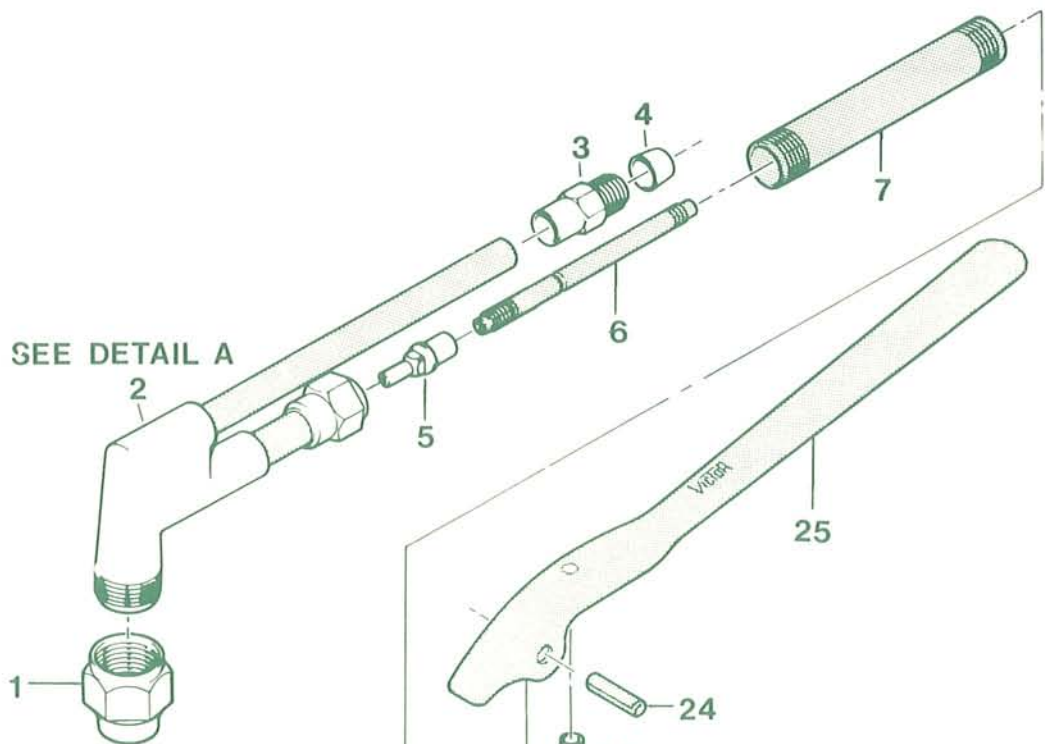
MODEL INFORMATION

MODEL NO.	PART NO.	HEAD ANGLE
2450	0381-0173	90°
2451	0381-0174	75°
2452	0381-0175	180°
C 1450	0381-0006	90°

WARNING

Apparatus improperly operated, maintained or repaired can be dangerous. Some parts and accessories manufactured by others may fit VICTOR apparatus but not conform to VICTOR'S exacting standards. For your own protection, specify and use only VICTOR-made parts and accessories with your VICTOR apparatus.

Service or repair of VICTOR apparatus should be performed only by a qualified technician. Improper service or repair, or modification of the product could result in damage to the product or injury to the operator.



PARTS LIST

REF. NO.	DESCRIPTION	2450 90°	2451 75°	2452 180°	C 1450 90°
1	Tip Nut	0309-0018	0309-0018	0309-0018	0309-0003
2	Head and Tube Assembly	0340-0448	0340-0447	0340-0449	0340-0444
2A	Head	0302-0033	0302-0029	0302-0034	0302-0039
2B	Mixing Chamber Nut	0309-0019	0309-0019	0309-0019	0309-0019
2C	Mixing Chamber Tube	0313-0107	0313-0107	0313-0107	0313-0107
2D	H. P. Oxygen Tube	0303-0105	0303-0105	0303-0105	0303-0105
3	Coupling Nut—Oxygen	0309-0004	0309-0004	0309-0004	0309-0004
*† 4	Ferrule	0316-0007	0316-0007	0316-0007	0316-0007
5	Mixer	0305-0038	0305-0038	0305-0038	0305-0038
6	Inner Oxygen Tube	0303-0013	0303-0013	0303-0013	0303-0013
7	Acetylene Tube	0303-0014	0303-0014	0303-0014	0303-0014
8	Torch Body	0301-0035	0301-0035	0301-0035	0301-0035
*† 9	Valve Stem Assembly	0662-0014	0662-0014	0662-0014	0662-0014
10	Coupling Nut	0309-0026	0309-0026	0309-0026	0309-0026
11	Cone End	0317-0003	0317-0003	0317-0003	0317-0003
*† 11A	"O" Ring—Large	1407-0178	1407-0178	1407-0178	1407-0178
*† 11B	"O" Ring—Small	1407-0177	1407-0177	1407-0177	1407-0177
12	H.P. Valve Plug	0320-0039	0320-0039	0320-0039	0320-0039
† 13	"O" Ring	1407-0178	1407-0178	1407-0178	1407-0178
† 14	Valve Spring	0320-0034	0320-0034	0320-0034	0320-0034
*† 15	*Seat Holder	0320-0043	0320-0043	0320-0043	0320-0043
*† 16	*Seat	0320-0044	0320-0044	0320-0044	0320-0044
† 17	*Seat Screw	0320-0045	0320-0045	0320-0045	0320-0045
18	Valve Stem	0320-0046	0320-0046	0320-0046	0320-0046
*† 19	Felt Washer	1408-0027	1408-0027	1408-0027	1408-0027
*† 20	"O" Ring Friction	1407-0005	1407-0005	1407-0005	1407-0005
*† 21	"O" Ring Sealing	1407-0007	1407-0007	1407-0007	1407-0007
22	"O" Ring Retainer	0320-0036	0320-0036	0320-0036	0320-0036
* 23	Dust Seal	0320-0037	0320-0037	0320-0037	0320-0037
*† 24	Spirol Pin	1404-0066	1404-0066	1404-0066	1404-0066
25	Lever	0307-0023	0307-0023	0307-0023	0307-0023
	*Seat Assy.Ref. # 15, 16, 17	0320-0047	0320-0047	0320-0047	0320-0047

0390-0004 Repair Kit includes items marked with asterisk.*

† Items most commonly required for torch repair and recommended for stock.

WORLD HEADQUARTERS: 101 S. Hanley Road • St. Louis, MO 63105 • 314-721-5573 • FAX 314-721-4822

THERMADYNE®

VICTOR®

Victor Equipment Company

U.S.A.
Customer Service
P.O. Box 1007
Denton, TX 76202-1007
800-426-1888
FAX 800-535-0557

International Customer Service
2070 Wycroft Road
Oakville, Ontario L6L5V6
Canada
905-827-9777
FAX 905-827-9797

Canada
2070 Wycroft Road
Oakville, Ontario L6L5V6
Canada
905-827-1111
FAX 905-827-3648

Europe
Europa Building
Chorley North Industrial Park
Chorley, PR6 7BX, England
44-1257-261755
FAX 44-1257-261756

Asia/Pacific PTE, Ltd.
Hillview House Units 401-403
1 Jalan Remaja
Singapore 668662
65-763-4022
FAX 65-763-5812

Mexico
Calle de Zaragoza #25
Col. Santa Cruz Atoyac
C.P. 03910 Mexico, D.F.
52-5-605-8408
FAX 52-5-604-9671