

SENTINEL™ A50

Revolutionary high performance automatic welding helmet



Years of welding have trained you to know exactly what you need in a hood: crucial comfort, large lens, and next generation technology. Every special operation needs special equipment that gets the job done, and when it comes to your helmet, SENTINEL™ is worn by the best.

- Revolutionary shell design - high impact resistance nylon.
- Halo™ headgear - ergonomic, infinitely-adjustable 5 point head gear provides extreme comfort and balance. Low-profile design, central pivot point allows for maximum head clearance while helmet is in the up position.
- 3.93 x 2.36 in. (100 x 60 mm) viewing area. 1/1/1/2 –5-13 ADF.
- Color touch screen control panel with 8 separate memory settings and externally activated shade 4 Grind Button.
- Hard hat adapter option available for use with ESAB hard hat.

Industry

- Industrial and General Fabrication

Application Range

- MIG, TIG and STICK - Range 5-13 ADF
- Low Amperage TIG Rating - ≥ 2 amps
- MIG/TIG Pulse
- Plasma Welding
- Grinding
- Oxyfuel Cutting/Gouging
- Plasma Cutting/Gouging
- Carbon Arc Gouging

Visit esab.com for more information.



Halo Comfort 5 Point Harness (front view)



High optical class ADF, with color touch screen interface

SENTINEL™ A50

Specifications

Cartridge Dimensions	5.2 x 4.5 x 0.35 in. (133 x 114 x 9 mm)
Viewing Area	3.93 x 2.36 in. (100 x 60 mm)
Lens Shade	DIN 5-8/9-13
Power Supply	Solar cell plus battery replaceable. (2 x CR2450 lithium). Alerts when low battery.
Sensors	4
Switch Time	1/25,000 s from light to dark
Classification	1/1/1/2
Standards	DIN Plus, CE, EN 175, EN 379, EN 166, ANSI Z87.1, CSA Z94.3, AS/NZS 1338.1
Weight	1.4 lbs. (640 g)

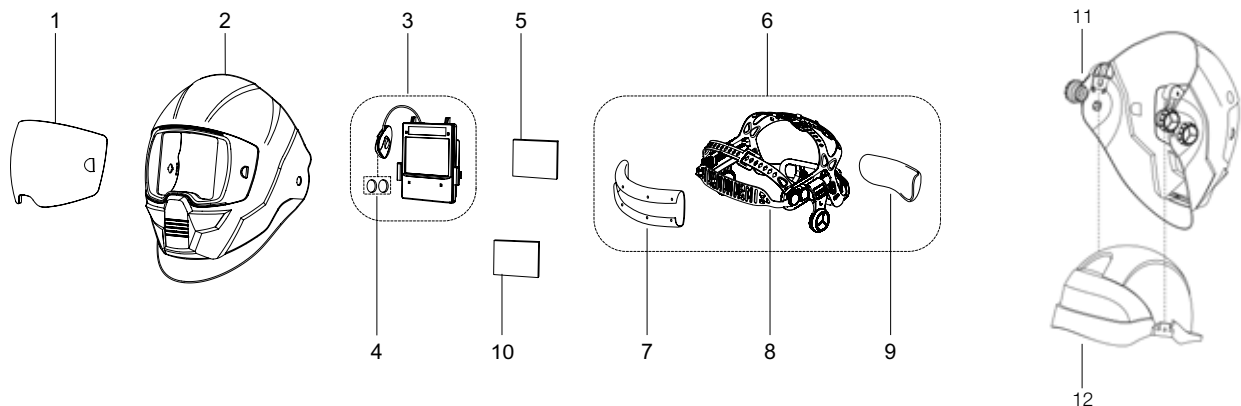
Ordering Information

Description	Part Number
SENTINEL A50 Welding Helmet	0700000800

Wear & Spare Parts

Description	Part Number
1 Front Cover Lens Clear HD	0700000823
1 Front Cover Lens Amber HD	0700000824
1 Front Cover Lens Clear	0700000802
1 Front Cover Lens Amber	0700000803
2 SENTINEL Helmet Shell	0700000804
3 Auto-Darkening Filter (excluding batteries)	0700000806
4 2 x CR2450 lithium battery	0700000807
5 Inside Cover Lens	0700000808
6 Headgear Assembly (including sweat bands)	0700000809
7 Front Sweat Band	0700000810
8 Headgear	0700000811
9 Rear Sweat Band	0700000812
10 Magnifying Glass +1.0 Diopter	0367951001
10 Magnifying Glass +1.5 Diopter	0367951002
10 Magnifying Glass +2.0 Diopter	0367951003
10 Magnifying Glass +2.5 Diopter	0367951004
11 Sentinel Hard Hat Adapter*	0700000619
12 Concept Hard Hat Yellow	0700000052
x Sentinel Bandana	0700000821

*For use with Concept Hard Hat. For details on assembly, please see separate user guide. Hard Hat Adapter replaces Headgear 0700000809 for the Sentinel A50 with Hard Hat combination.

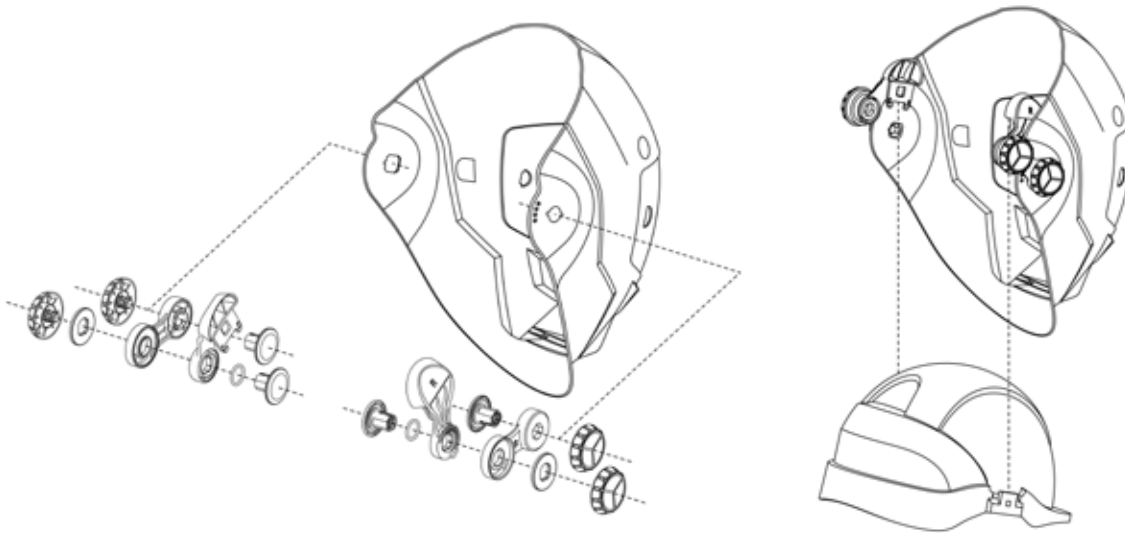


SENTINEL™ A50

Hard Hat Adapter



The Sentinel hard hat adapter is designed for use with the ESAB hard hat (0700000052). Easy to assemble - simply remove the headgear from the Sentinel A50 helmet, assemble the hard hat adapter, insert the hard adapter into the hard hat slot



Additional Accessories



HD Front Cover Lenses



Magnifying Diopter Lens



ESAB / esab.com

